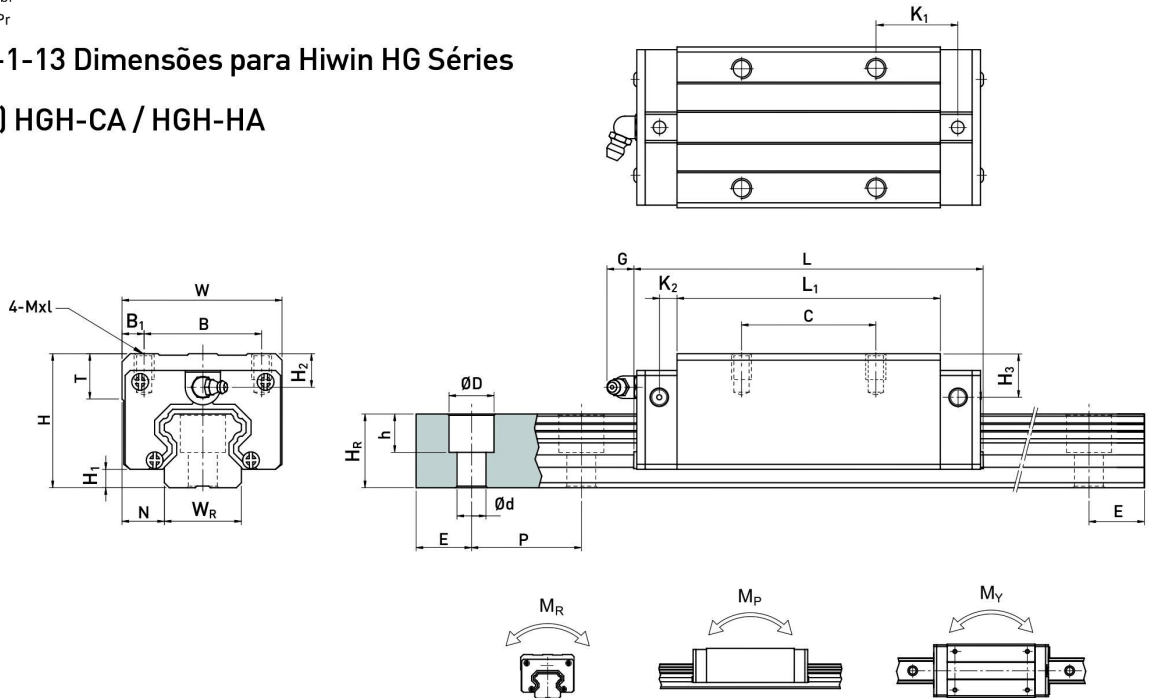


2-1-13 Dimensões para Hiwin HG Séries

(1) HGH-CA / HGH-HA



| Nº Modelo | Dimensões de Montagem (mm) | | | Dimensões do Bloco (mm) | | | | | | | | | | | Dimensões do Trilho (mm) | | | | Montagem do Parafuso no Trilho (mm) | Carga Dinâmica C (kN) | Carga Estática C ₀ (kN) | Momento Estático | | | Peso | | | | | | |
|---------------------|----------------------------|----------------|------|-------------------------|----|----------------|-----|----------------|-------|----------------|----------------|------|--------|------|--------------------------|----------------|----------------|----------------|-------------------------------------|-----------------------|------------------------------------|------------------|------|--------|--------|--------|----------------|----------------|----------------|-------|--------|
| | H | H ₁ | N | W | B | B ₁ | C | L ₁ | L | K ₁ | K ₂ | G | Mx1 | T | H ₂ | H ₃ | W _R | H _R | | | | D | h | d | P | E | M _R | M _P | M _Y | Bloco | Trilho |
| | kgf | mm | mm | mm | mm | mm | mm | mm | mm | mm | mm | mm | mm | mm | mm | mm | mm | mm | | | | mm | mm | mm | mm | mm | mm | kN-m | kN-m | kN-m | kg |
| HGH 15CA | 28 | 4.3 | 9.5 | 34 | 26 | 4 | 26 | 39.4 | 61.4 | 10 | 4.85 | 5.3 | M4x5 | 6 | 7.95 | 7.7 | 15 | 15 | 7.5 | 5.3 | 4.5 | 60 | 20 | M4x16 | 11.38 | 16.97 | 0.12 | 0.10 | 0.10 | 0.18 | 1.45 |
| HGH 20CA | 30 | 4.6 | 12 | 44 | 32 | 6 | 38 | 50.5 | 77.5 | 12.25 | 6 | 12 | M5x6 | 8 | 6 | 6 | 20 | 17.5 | 9.5 | 8.5 | 6 | 60 | 20 | M5x16 | 17.75 | 27.76 | 0.27 | 0.20 | 0.20 | 0.30 | 2.21 |
| HGH 20HA | | | | | | | 50 | 65.2 | 92.2 | 12.6 | | | | | | | | | | | | | | | 21.18 | 35.90 | 0.35 | 0.35 | 0.35 | 0.39 | |
| HGH 25CA | 40 | 5.5 | 12.5 | 48 | 35 | 6.5 | 35 | 58 | 84 | 16.8 | 6 | 12 | M6x8 | 8 | 10 | 9 | 23 | 22 | 11 | 9 | 7 | 60 | 20 | M6x20 | 26.48 | 36.49 | 0.42 | 0.33 | 0.33 | 0.51 | 3.21 |
| HGH 25HA | | | | | | | 50 | 78.6 | 104.6 | 19.6 | | | | | | | | | | | | | | | 32.75 | 49.44 | 0.56 | 0.57 | 0.57 | 0.69 | |
| HGH 30CA | 45 | 6 | 16 | 60 | 40 | 10 | 40 | 70 | 97.4 | 20.25 | 6 | 12 | M8x10 | 8.5 | 9.5 | 13.8 | 28 | 26 | 14 | 12 | 9 | 80 | 20 | M8x25 | 38.74 | 52.19 | 0.66 | 0.53 | 0.53 | 0.88 | 4.47 |
| HGH 30HA | | | | | | | 60 | 93 | 120.4 | 21.75 | | | | | | | | | | | | | | | 47.27 | 69.16 | 0.88 | 0.92 | 0.92 | 1.16 | |
| HGH 35CA | 55 | 7.5 | 18 | 70 | 50 | 10 | 50 | 80 | 112.4 | 20.6 | 7 | 12 | M8x12 | 10.2 | 16 | 19.6 | 34 | 29 | 14 | 12 | 9 | 80 | 20 | M8x25 | 49.52 | 69.16 | 1.16 | 0.81 | 0.81 | 1.45 | 6.30 |
| HGH 35HA | | | | | | | 72 | 105.8 | 138.2 | 22.5 | | | | | | | | | | | | | | | 60.21 | 91.63 | 1.54 | 1.40 | 1.40 | 1.92 | |
| HGH 45CA | 70 | 9.5 | 20.5 | 86 | 60 | 13 | 60 | 97 | 139.4 | 23 | 10 | 12.9 | M10x17 | 16 | 18.5 | 30.5 | 45 | 38 | 20 | 17 | 14 | 105 | 22.5 | M12x35 | 77.57 | 102.71 | 1.98 | 1.55 | 1.55 | 2.73 | 10.41 |
| HGH 45HA | | | | | | | 80 | 128.8 | 171.2 | 28.9 | | | | | | | | | | | | | | | 94.54 | 136.46 | 2.63 | 2.68 | 2.68 | 3.61 | |
| HGH 55CA | 80 | 13 | 23.5 | 100 | 75 | 12.5 | 75 | 117.7 | 166.7 | 27.35 | 11 | 12.9 | M12x18 | 17.5 | 22 | 29 | 53 | 44 | 23 | 20 | 16 | 120 | 30 | M14x45 | 114.44 | 148.33 | 3.69 | 2.64 | 2.64 | 4.17 | 15.08 |
| HGH 55HA | | | | | | | 95 | 155.8 | 204.8 | 36.4 | | | | | | | | | | | | | | | 139.35 | 196.20 | 4.88 | 4.57 | 4.57 | 5.49 | |
| HGH 65CA | 90 | 15 | 31.5 | 126 | 76 | 25 | 70 | 144.2 | 200.2 | 43.1 | 14 | 12.9 | M16x20 | 25 | 15 | 15 | 63 | 53 | 26 | 22 | 18 | 150 | 35 | M16x50 | 163.63 | 215.33 | 6.65 | 4.27 | 4.27 | 7.00 | 21.18 |
| HGH 65HA | | | | | | | 120 | 203.6 | 259.6 | 47.8 | | | | | | | | | | | | | | | 208.36 | 303.13 | 9.38 | 7.38 | 7.38 | 9.82 | |

Nota : 1 kgf = 9.81 N